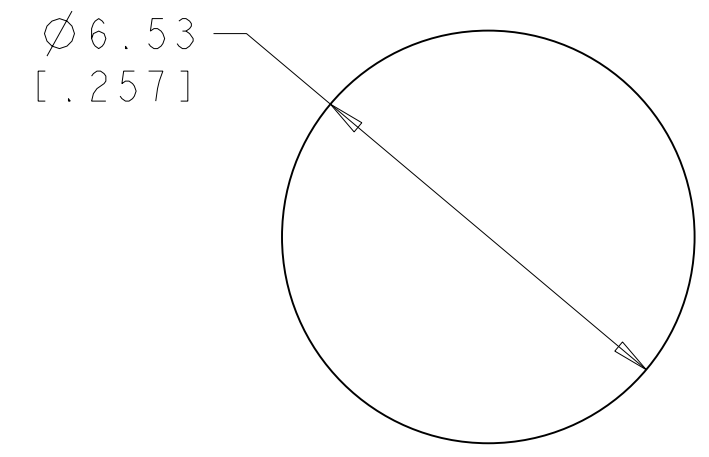
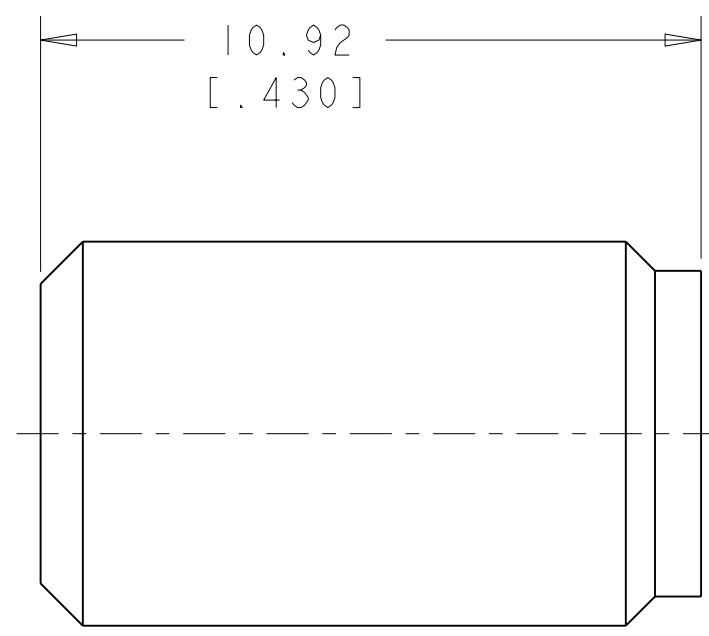
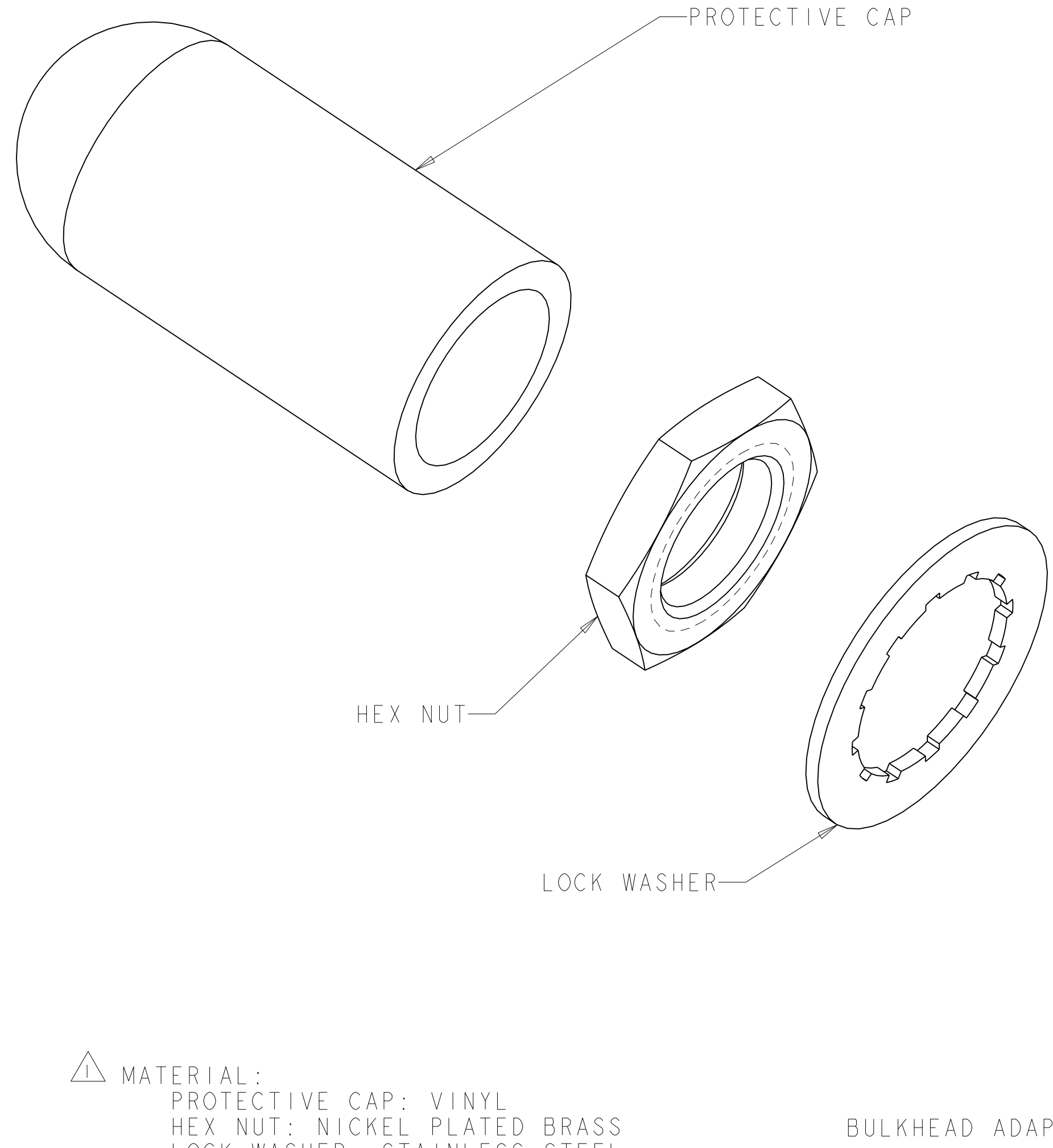


THIS DRAWING IS UNPUBLISHED. RELEASED FOR PUBLICATION 20
 © COPYRIGHT 20 BY TYCO ELECTRONICS CORPORATION. ALL RIGHTS RESERVED.

LOC		DIST		REVISIONS			
P	LTR	DESCRIPTION	DATE	DWN	APVD		
CE	00	H	REVISE PER ECR-05-009613	30SEP2005	BB	LS	



⚠ MATERIAL:
 PROTECTIVE CAP: VINYL
 HEX NUT: NICKEL PLATED BRASS
 LOCK WASHER: STAINLESS STEEL
 BULKHEAD ADAPTER: STAINLESS STEEL

504031-1
 PART NUMBER

<small>THIS DRAWING IS A CONTROLLED DOCUMENT FOR TYCO ELECTRONICS CORPORATION. IT IS SUBJECT TO CHANGE AND THE CONTROLLING ENGINEERING ORGANIZATION SHOULD BE CONTACTED FOR THE LATEST REVISION.</small>		DWN B. BRIGGS 30SEP2005 CHK L. SAUERWEIN 30SEP2005 APVD S. BUCHTER 30SEP2005	tyco Tyco Electronics Electronics Harrisburg, PA 17105-3608
DIMENSIONS: INCHES	TOLERANCES UNLESS OTHERWISE SPECIFIED: 0 PLC \pm 1 PLC \pm 2 PLC $\pm 0.131(.005)$ 3 PLC \pm 4 PLC \pm ANGLES \pm FINISH	NAME BULKHEAD ASSEMBLY, FSMA ADAPTER PRODUCT SPEC - APPLICATION SPEC - WEIGHT -	SIZE A2 CAGE CODE 00779 DRAWING NO C=504031 RESTRICTED TO - SCALE 5:1 SHEET 1 OF 1 REV H
MATERIAL \triangle -		CUSTOMER DRAWING	